

Panini Grills with Smooth / Ribbed Top and Bottom Grill Surface

ITEM:	11375	11376	11377	48603	11378	11380
MODEL:	PG-IT-0483-R	PG-IT-0483	PG-IT-0610-R	PG-IT-0381	PG-IT-0737-R	PG-IT-0737

Easy to use and versatile

Ideal for quesadillas, panini, foccacia, and pita sandwiches. These model have stainless steel bodies with cast iron grilling surfaces for easy cleaning. If versatility is what you are looking for, look no further as these panini grills offer the best of both worlds. The grooved surface creates appealing grill marks.

11375



11376



FEATURES:

- Collecting tray
- Thermostat control
- Functioning pilot lamp
- Non-slip rubber feet
- Smooth / Ribbed top & bottom grill



11377



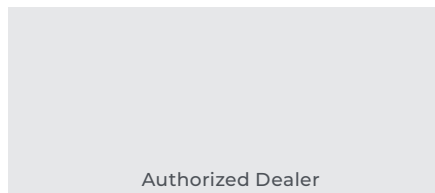
48603



11378



11380



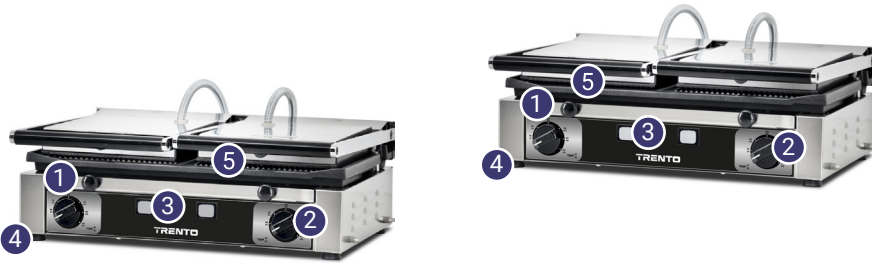
Technical Specifications			
Features	Ribbed Top and Bottom Grill	Ribbed Top - Smooth Bottom Grill	Ribbed Top and Bottom Grill
Item	11375	11376	11377
Model	PG-IT-0483-R	PG-IT-0483	PG-IT-0610-R
Grill Surface	10" x 9" (254 x 228 mm)		10" x 14" (254 x 355 mm)
Thermostat Control	120 - 570 °F (50 - 300 °C)		
Power	1700W		
Amps	15A		
Electrical	110V / 60Hz / 1Ph		
Top Grill	Ribbed		
Bottom Grill	Ribbed	Smooth	Ribbed
Net Weight	40 lb. (18 kg.)	35 lb. (16 kg.)	53 lb. (24 kg.)
Net Dimensions (WDH)	Open: 11.4" x 14.4" x 19.75" (290 x 365 x 500 mm) Close: 9" (235 mm)		Open: 15" x 14.4" x 19.75" (380 x 365 x 500 mm) Close: 9" (235 mm)
Gross Weight	43 lb. (19.5 kg.)	38 lb. (17 kg.)	55 lb. (25 kg.)
Plug Type	NEMA 5 - 20P		

Main Component:

- ① Collecting Tray
- ② Thermostat Control
- ③ Functioning Pilot Lamp
- ④ Non-slip Rubber Feet
- ⑤ Top & Bottom: Ribbed / Smooth Grill



Technical Specifications			
Item	48603	11378	11380
Model	PG-IT-0381	PG-IT-0737-R	PG-IT-0737
Grill Surface	10" x 15" (254 x 381 mm)	10" x 19" (254 x 482 mm)	
Thermostat Control	120 - 570 °F (50 - 300 °C)		
Power	1700W	3000W	
Amps	20A	13A	
Electrical	120V / 60Hz / 1Ph	220V / 60Hz / 1Ph	
Top Grill	Ribbed		
Bottom Grill	Smooth	Ribbed	1/2 Ribbed, 1/2 Smooth
Net Weight	48 lb. (21.7 kg.)	56 lb. (25 kg.)	70 lb. (31.75 kg.)
Net Dimensions (WDH)	Open: 15 x 17" x 19.68" (381 x 431.8 x 500 mm) Closed Height: 9.5" (235 mm)	Open: 21" x 12.75" x 19.75" (533 x 324 x 500 mm) Closed Height: 7" (177 mm)	
Gross Weight	51 lb. (23.1 kg.)	70 lb. (32.8 kg.)	75 lb. (34 kg.)
Plug Type	NEMA 5 - 20P	NEMA 6 - 20P	



Main Component -----

- 1 Collecting Tray
- 2 Thermostat Control
- 3 Functioning Pilot Lamp
- 4 Non-slip Rubber Feet
- 5 Top & Bottom: Ribbed / Smooth Grill
- 6 Timer (#48603)

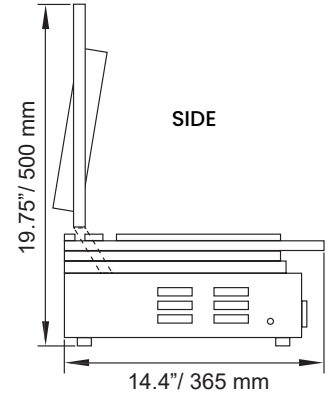
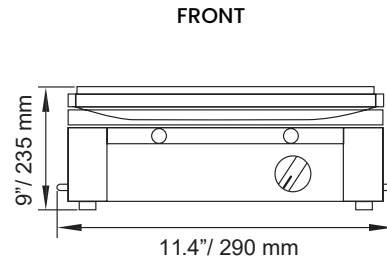


Accessory:

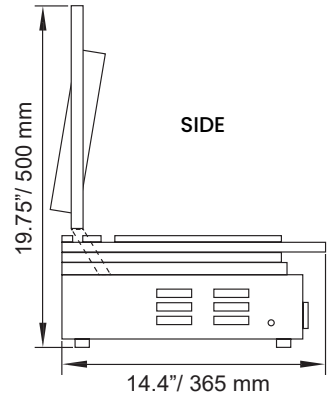
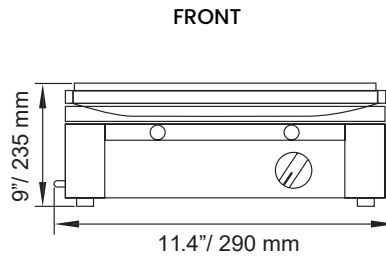
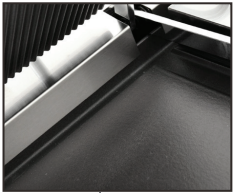
Panini Grill Cleaning Brush

Technical Drawings

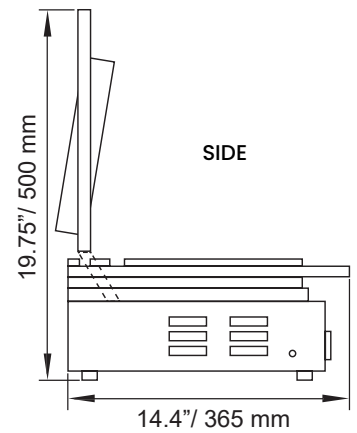
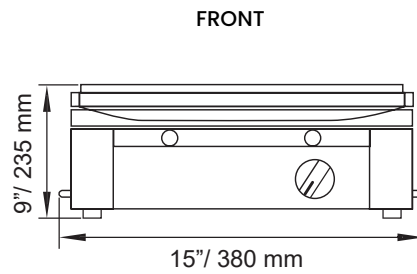
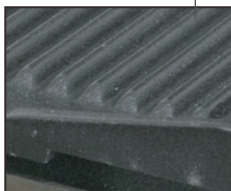
11375



11376

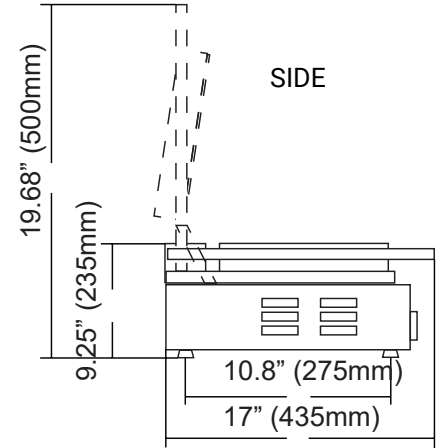
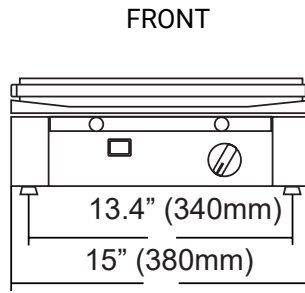


11377

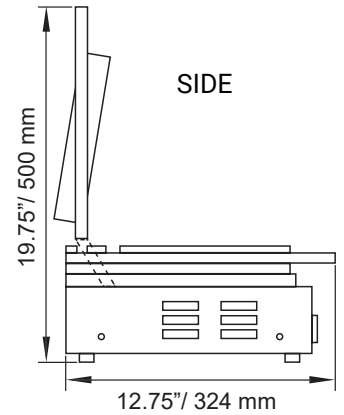
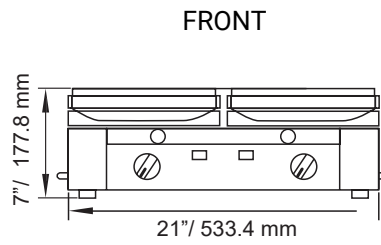


Technical Drawings

48603



11378



11380

